

Rittal – TS8 Stainless Steel



ENCLOSURES

POWER DISTRIBUTION

CLIMATE CONTROL

IT INFRASTRUCTURE

SOFTWARE & SERVICES



FRIEDHELM LOH GROUP

A step-up in stainless steel protection.



Rittal sets the standard...again.

When it comes to protecting critical equipment in harsh environments and demanding conditions, Rittal's TS8 modular enclosures have proven their worth around the world. Now, this versatile system is ready to take on even the most demanding challenge with a full selection of stainless steel enclosures including new single and double door models rated to UL Type 4X standards.

Available in 304 stainless steel, these new models are designed for easy access, easy configuration and easy installation. Single door mounting panel install easily through the door while, double door mounting panels slide in and out from the side so there's no need to put a crane on site to install your hardware – everything goes in and out with the enclosure standing in its normal, upright position.

With the proven TS8 modular design these enclosures accommodate heavy loads and can be adapted to virtually any requirement.

When you need protection, durability and easy access under extreme conditions, the new stainless steel TS8 enclosures, backed by the Rittal system approach to accessories and support, will meet whatever challenges come your way.

Highlights: Rittal TS8 Stainless Steel Floormount Enclosures

- Modular enclosure systems provide unsurpassed flexibility, strength and durability
- UL Type 4X
- 304 stainless steel construction
- Weight capacity up to 1,120 pounds on the mounting panel
- 16-fold tubular frame
- Multi-level mounting
- 30 percent more available space than traditional NEMA-style enclosures of equal dimensions
- Scalability and flexibility for ever-changing requirements



TS8 Freestanding Enclosures

Stainless Steel, UL Type 12, IP 55, Single Door – Type 304

Part Number	HxWxD inches	HxWxD mm	Sidewalls (Pair)	Mounting Panel HxW inches	Mounting Panel HxW mm	4" (100 mm) High Plinth, Front & Rear	4" (100 mm) High Plinth, Sides	8" (200 mm) High Plinth, Front & Rear	8" (200 mm) High Plinth, Sides
8454.600	71x32x16	1800x800x400	8700.840	67x28	1696x699	8701.800	8701.040	8702.800	8702.040
8457.600	71x24x20	1800x600x500	8700.850	67x20	1696x499	8701.600	8701.050	8702.600	8702.050
8455.600	71x32x20	1800x800x500	8700.850	67x28	1696x699	8701.800	8701.050	8702.800	8702.050
8452.600	79x24x24	2000x600x600	8700.060	75x20	1896x499	8701.600	8701.060	8702.600	8702.060
8450.600	79x32x24	2000x800x600	8700.060	75x28	1896x699	8701.800	8701.060	8702.800	8702.060

Stainless Steel, UL Type 12, IP 55, Double Door – Type 304

Part Number	HxWxD inches	HxWxD mm	Sidewalls (Pair)	Mounting Panel HxW inches	Mounting Panel HxW mm	4" (100 mm) High Plinth, Front & Rear	4" (100 mm) High Plinth, Sides	8" (200 mm) High Plinth, Front & Rear	8" (200 mm) High Plinth, Sides
8456.600	71x47x16	1800x1200x400	8700.840	67x43	1696x1099	8701.200	8701.040	8702.200	8702.040
8453.600	71x47x20	1800x1200x500	8700.850	67x43	1696x1099	8701.200	8701.050	8702.200	8702.050
8451.600	79x47x24	2000x1200x600	8700.060	75x43	1896x1099	8701.200	8701.060	8702.200	8702.060

Stainless Steel UL Type 4X, IP 66, Single Door – Type 304

Part Number	HxWxD inches	HxWxD mm	Sidewalls (Pair)	Mounting Panel HxW inches	Mounting Panel HxW mm	4" (100 mm) High Plinth, Front & Rear	4" (100 mm) High Plinth, Sides	8" (200 mm) High Plinth, Front & Rear	8" (200 mm) High Plinth, Sides
9978.420	63x24x16	1600x600x400	9978.424	59x20	1496x499	8701.600	8701.040	8702.600	8702.040
9978.421	63x32x16	1600x800x400	9978.424	59x28	1496x699	8701.800	8701.040	8702.800	8702.040
9978.422	79x32x16	2000x800x400	9978.425	75x28	1896x699	8701.800	8701.040	8702.800	8702.040
8450.680	79x32x24	2000x800x600	8700.680	75x28	1896x699	8701.800	8701.060	8702.800	8702.060
9978.423	79x32x32	2000x800x800	9978.426	75x28	1896x699	8701.800	8701.080	8702.800	8702.080

Stainless Steel, UL Type 4X, IP 66, Floormount Double Door – Type 304

Part Number	HxWxD inches	HxWxD mm	Sidewalls (Pair)	Mounting Panel HxW inches	Mounting Panel HxW mm	4" (100 mm) High Plinth, Front & Rear	4" (100 mm) High Plinth, Sides	12" Leg Kits	Baying Kit
9978.429	63x47x16	1600x1200x400	Included	59x43	1496x1099	—	—	Included	Included
9978.430	63x63x16	1600x1600x400	Included	59x59	1496x1499	—	—	Included	Included
9978.431	79x63x16	2000x1600x400	Included	75x59	1896x1499	—	—	Included	Included
9978.432	79x63x24	2000x1600x600	Included	75x59	1896x1499	—	—	Included	Included
9978.433	79x63x32	2000x1600x800	Included	75x59	1896x1499	—	—	Included	Included

Accessories

Description	Configuration	Part Number
Comfort Handle	Nickel plated	8611.330
Push Button Key-Lock Insert	For comfort handle	8611.200
Leveling Feet	Nickel plated	2859.000
HD Leveling Feet	304 stainless steel	4000.200
HD Leveling Feet	304 stainless steel - w/ base mount	4000.210
External Baying Kit	304 stainless steel	8700.000
Baying Cover ¹⁾	16" (400 mm) deep - 304 stainless steel	8700.140
Baying Cover ¹⁾	20" (500 mm) deep - 304 stainless steel	8700.150
Baying Cover ¹⁾	24" (600 mm) deep - 304 stainless steel	8700.160
180 Degree Hinges	Nickel plated	8701.180
Torx T-25 Screws	304 stainless steel	2486.300
12" Leg Kit ²⁾	16" (400 mm) deep - 304 stainless steel	9963.525
12" Leg Kit ²⁾	20" (500 mm) deep - 304 stainless steel	9963.526
12" Leg Kit ²⁾	24" (600 mm) deep - 304 stainless steel	9963.527
12" Leg Kit ²⁾	32" (800 mm) deep - 304 stainless steel	9978.435
4X Baying Kit	63x16" HXD (1600 mmx400 mm HXD) - 304 stainless steel	9978.427
4X Baying Kit	79x16" HXD (2000 mmx400 mm HXD) - 304 stainless steel	9978.428
4X Baying Kit	79x28" HXD (2000 mmx600 mm HXD) - 304 stainless steel	8700.064
4X Baying Kit	79x32" HXD (2000 mmx800 mm HXD) - 304 stainless steel	8700.084

¹⁾ Not available for UL Type 4X

²⁾ Leg kits require solid floor panel for Type 12 enclosure

TS8 Freestanding Enclosures

Stainless Steel UL Type 12, IP 55, Single & Double Door—Type 304

Configuration:

Enclosure frame with mounting panel, door(s), roof with eyebolts, rear wall, and cable plates.

Finish:

Enclosure frame: Type 304 stainless steel
Door(s), roof and rear wall: Brushed, grain size 400
Mounting panel, cable plates: Zinc-plated

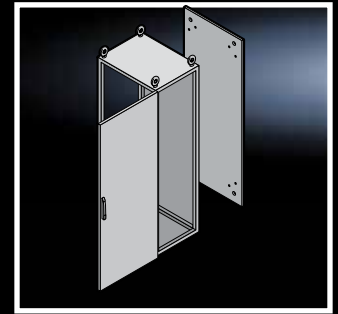
Material:

Type 304 stainless steel
Enclosure frame, roof, rear wall and cable plates: 16 ga (1.5 mm)
Door(s): 14 ga (2.0 mm)
Mounting panel: 11 ga (3.0 mm)

Protection Ratings:

cULus Type 12
(IP 55 to EN 60 529)
UL file: E76083

Note: 316 version available as special order



Stainless Steel UL Type 4X, IP 66, Single Door—Type 304

Configuration:

Enclosure frame with mounting panel, door, roof with eyebolts, rear wall, cable plate, and solid floor panel.

Finish:

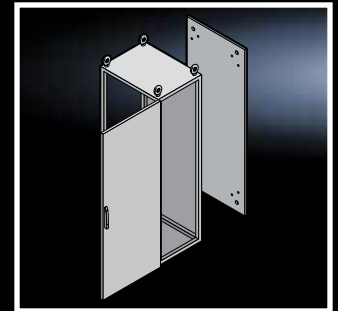
Enclosure frame: Type 304 stainless steel
Door, roof, solid floor panel, rear wall: Brushed, grain size 400
Mounting panel: Zinc-plated

Material:

Type 304 stainless steel
Enclosure frame, roof, solid floor panel, rear wall: 16 ga (1.5 mm)
Door: 14 ga (2.0 mm)
Mounting panel: 11 ga (3.0 mm)

Protection Ratings:

cULus Type 4X
(IP 66 to EN 60 529)
UL file: E76083



Stainless Steel UL Type 4X, IP 66, Floormount Double Door —Type 304

Configuration:

Enclosure frames with mounting panel slide rails for side access, full size mounting panel, doors, roofs with eyebolts, solid floor panels, rear walls, sidewalls, 12 inch bolt-on leg kit.

Finish:

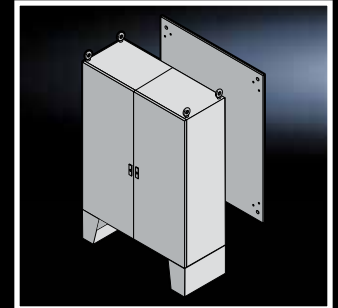
Enclosure frames: Type 304 stainless steel
Doors, roofs, solid floor panels, rear walls, sidewalls and legs: Brushed, grain size 400
Mounting panel: Zinc-plated

Material:

Type 304 stainless steel
Enclosure frames, roofs, solid floor panel, rear walls, sidewalls: 16 ga (1.5 mm)
Doors: 14 ga (2.0 mm)
Mounting panel, legs: 11 ga (3.0 mm)

Protection Ratings:

cULus Type 4X
(IP 66 to EN 60 529)
UL file: E76083



Rittal – The System.

Faster – better – worldwide.

- Enclosures
- Power Distribution
- Climate Control
- IT Infrastructure
- Software & Services

The Rittal Corporation is the U.S. subsidiary of Rittal GmbH & Co. KG and manufactures the world's leading industrial and IT enclosures, racks and accessories, including climate control and power management systems for industrial, data center, outdoor and hybrid applications. For more information about Rittal and its products, please visit www.rittal.us or call 1-800-477-4000.

Rittal Corporation

1 Rittal Place • Urbana Ohio 43078 • USA
Woodfield Corporate Center • 425 North Martingale Road, Suite 400 • Schaumburg Illinois 60173 • USA
Phone: 937-399-0500 • Fax: 800-477-4003 • Toll-free: 800-477-4000
Email: rittal@rittal.us • Online: www.rittal.us

Rittal Systems Ltd.

6485 Ordan Drive • Mississauga Ontario L5T 1X2 • Canada
Phone: 905-795-0777 • Fax: 905-795-9548 • Toll-free: 800-399-0748
Email: marketing@rittal.ca • Online: www.rittal.ca

ENCLOSURES

POWER DISTRIBUTION

CLIMATE CONTROL

IT INFRASTRUCTURE

SOFTWARE & SERVICES



FRIEDHELM LOH GROUP